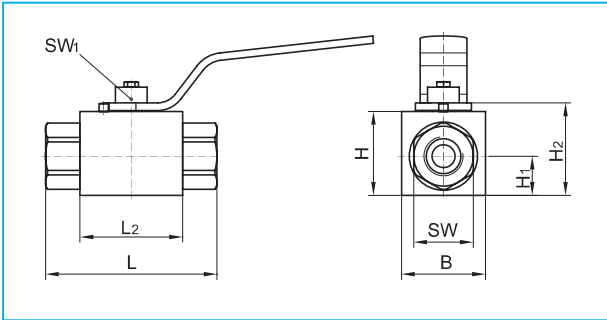


Aluminium · DN 4 - DN 25



Handle included in delivery
Please check pressure rating of the pipe fittings!
For actuators and handles refer to "Attachments, accessories".
Stainless steel (material No.1,4571 - or other stainless steels)
Custom orders on request
Also available with most other connections
All dimensions subject to change without notice

Dimensions in mm
Weight in kg
Pressure in bar

Overall length: female thread connector DIN 3202-4-M6/M9

Body:	aluminium
Ball:	stainless steel
Stem:	stainless steel
Ball seals:	POM
Stem seals:	NBR

Connection	DN	Thread D	OD	L	L1	L2	B	H	H1	H2	SW	SW1	Handle Code	Weight	DN	PN	Article-No.
For cut (clamp) ring tube fitting DIN 2353 light series ISO 8434-1 	4	M12 x 1,5	6	78	10	46,4	30	30	13,7	34,5	22	7	32	0,20	4	400	105 152
	6	M14 x 1,5	8	78	10	46,4	30	30	13,7	34,5	22	7	32	0,20	6	400	105 153
	8	M16 x 1,5	10	87	11	53,0	45	45	23,0	49,5	30	8	33	0,49	8	400	105 170
	10	M18 x 1,5	12	87	11	53,0	45	45	23,0	49,5	30	8	33	0,49	10	400	105 154
	12	M22 x 1,5	15	93	12	57,0	50	50	26,0	54,5	32	10	34	0,56	12	400	105 155
	20	M30 x 2	22	108	14	68,0	70	70	36,0	75,5	46	14	35	1,34	20	400	105 156
25	M36 x 2	28	114	14	73,0	80	80	43,0	85,5	50	14	35	1,59	25	400	105 157	
For cut (clamp) ring tube fitting DIN 2353 heavy series ISO 8434-1 	4	M16 x 1,5	8	81	12	46,4	30	30	13,7	34,5	22	7	32	0,22	4	400	105 158
	6	M18 x 1,5	10	81	12	46,4	30	30	13,7	34,5	22	7	32	0,22	6	400	105 159
	8	M20 x 1,5	12	89	12	53,0	45	45	23,0	49,5	30	8	33	0,50	8	400	105 171
	10	M22 x 1,5	14	93	14	53,0	45	45	23,0	49,5	30	8	33	0,50	10	400	105 160
	12	M24 x 1,5	16	98	14	57,0	50	50	26,0	54,5	32	10	34	0,58	12	400	105 161
	20	M36 x 2	25	116	18	68,0	70	70	36,0	75,5	46	14	35	1,42	20	400	105 162
25	M42 x 2	30	126	20	73,0	80	80	43,0	85,5	50	14	35	1,66	25	400	105 163	
BSP-female thread DIN EN ISO 228-1 	4	G 1/8	-	80	11	46,4	30	30	13,7	34,5	22	7	32	0,22	4	400	105 151
	6	G 1/4	-	80	14	46,4	30	30	13,7	34,5	22	7	32	0,22	6	400	105 141
	10	G 3/8	-	85	14	53,0	45	45	23,0	49,5	30	8	33	0,50	10	400	105 142
	12	G 1/2	-	100	16	57,0	50	50	26,0	54,5	32	10	34	0,60	12	400	105 143
	20	G 3/4	-	120	18	68,0	70	70	36,0	75,5	46	14	35	1,41	20	400	105 144
	25	G 1	-	135	20	73,0	80	80	43,0	85,5	50	14	35	1,78	25	400	105 145
NPT-female thread ISO 11926-1 	4	7/16 - 20	UNF - 2B	79	11,5	46,4	30	30	13,7	34,5	22	7	32	0,22	4	400	105 172
	6	1/2 - 20	UNF - 2B	79	11,5	46,4	30	30	13,7	34,5	22	7	32	0,22	6	400	105 173
	8	9/16 - 18	UNF - 2B	80	12,7	53,0	45	45	23,0	49,5	30	8	33	0,40	8	400	105 174
	10	3/4 - 16	UNF - 2B	97	14,3	53,0	45	45	23,0	49,5	30	8	33	0,50	10	400	105 175
	12	7/8 - 14	UNF - 2B	106	16,7	57,0	50	50	26,0	54,5	32	10	34	0,60	12	400	105 176
	20	1 5/16 - 12	UN - 2B	123	19,0	68,0	70	70	36,0	75,5	46	14	35	1,41	20	400	105 177
25	1 5/8 - 12	UN - 2B	133	19,0	73,0	80	80	43,0	85,5	50	14	35	1,78	25	400	105 178	

